



HPS III-MHL200 linear version

Technical data

Version 04/2022

HPS III-MHL200 linear version

Single nozzle and system nozzle

Dimensions and tip versions

Version	System nozzle	Single nozzle					
Machine radius (Dim. R)	--	0	15	15.5	40	1/2" (13.2)	3/4" (19.5)
Dim. T	--	0	2	2	0.8	2	1.8
Locating ring	--	Item number 50456... Diameter .100 / .110 / .125 / .160 / .175					

Width of nozzle block (Dim. B)	62
Number of tips	4
Distance between cavities (Dim. S1)	S1=42
Nozzle length (Dim. G) ⁽¹⁾	129, 138, 148, 168
Positions of bars	A (on nozzle side with tips) B (on nozzle side without tips)

Tip versions	90°	60°
Distance between cavity rows (Dim. Y)	62	62
Dim. X	60	64.5
Recommended gate diameters	0.8 - 1.5	0.8 - 1.5

(1) Other nozzle lengths available on request

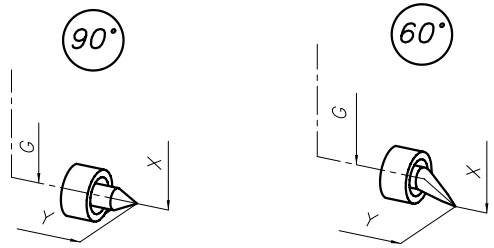
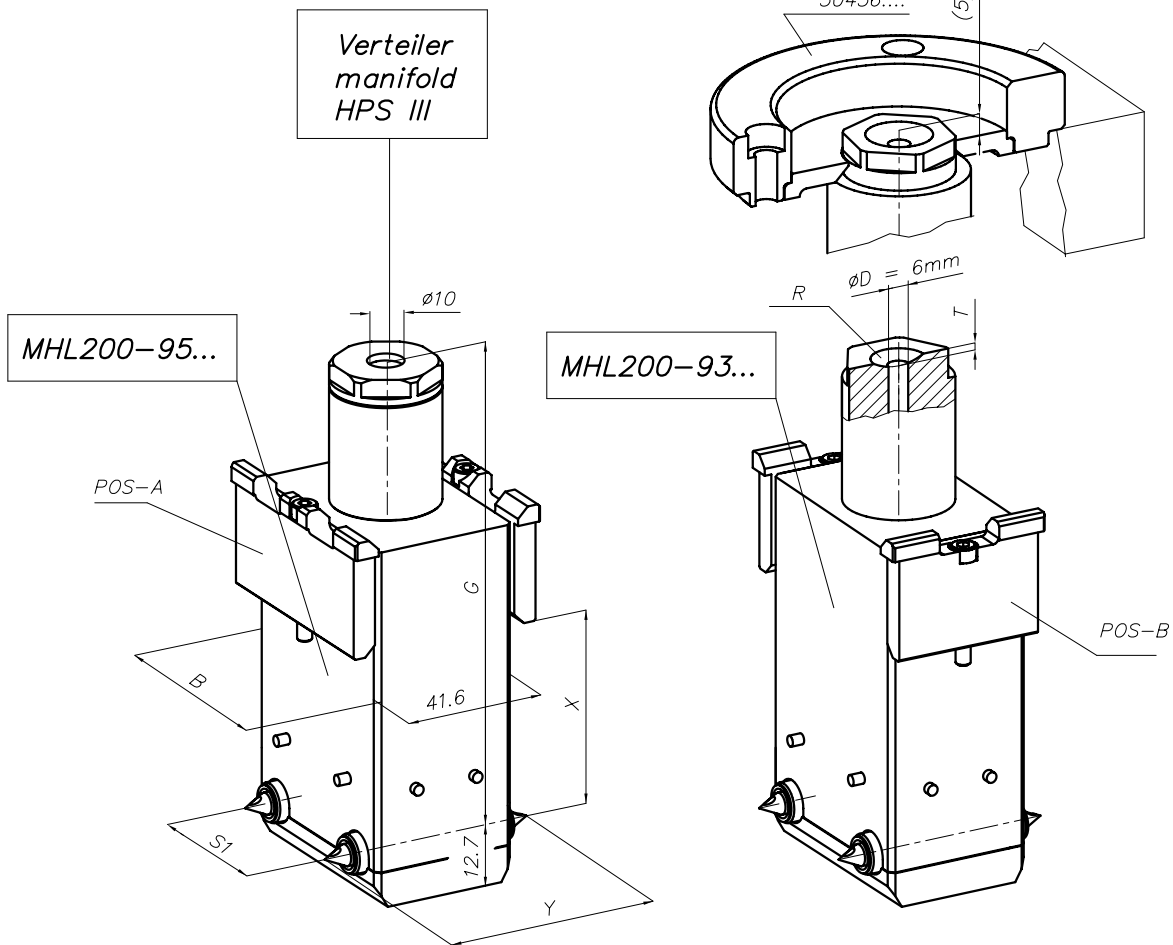
Item numbers:

System nozzle: **MHL200-95...**

Single nozzle: **MHL200-93...**

Each nozzle will be configured individually to suit your application requirements. Please contact us!

ATTENTION!
The injection unit contact pressure
must not exceed 30 KN

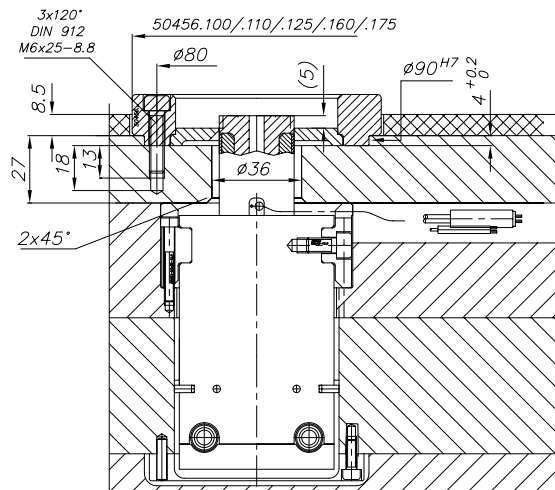
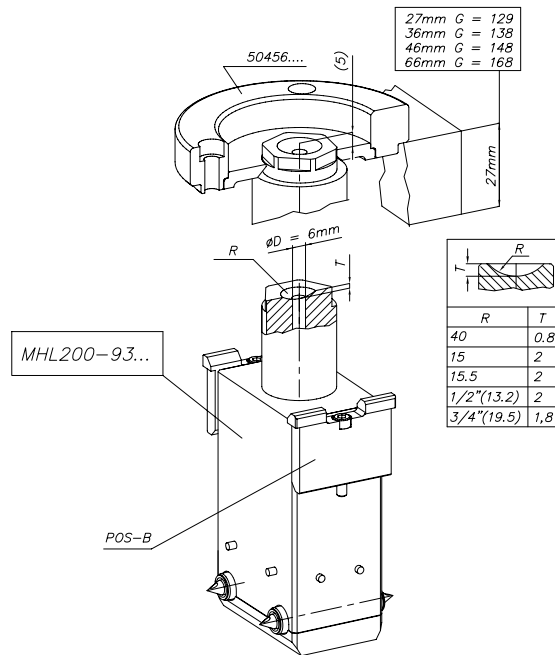


HPS III-MHL200 linear version

Assembly example for single nozzle, 4-drop, width of nozzle block 62, position of bars B

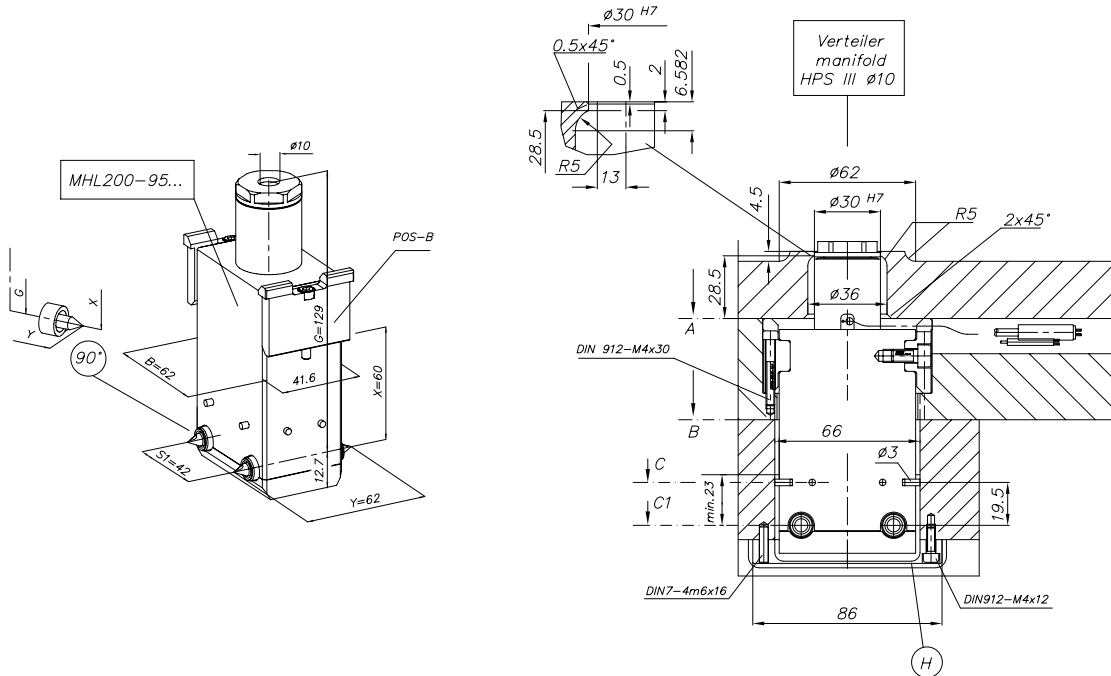
ATTENTION!

The injection unit contact pressure must not exceed 30 KN

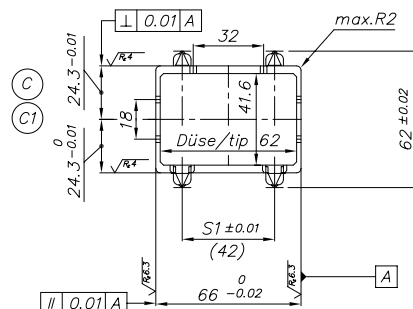
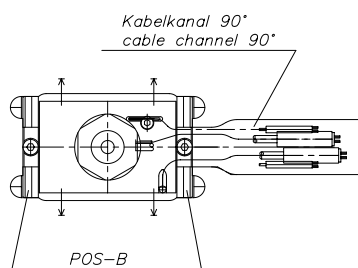
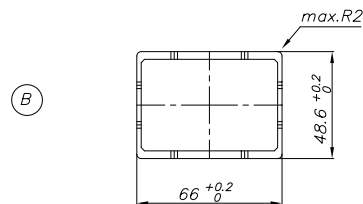
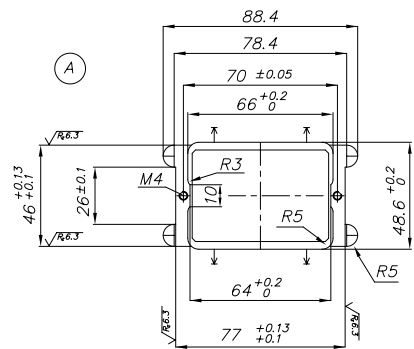


HPS III-MHL200 linear version

Assembly example for system nozzle, 4-drop, width of nozzle block 62, position of bars B



(H) Protective cover (not included)

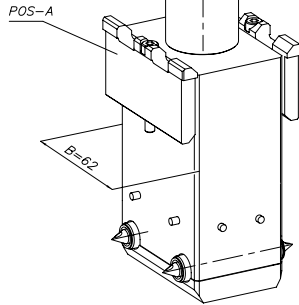


HPS III-MHL200 linear version

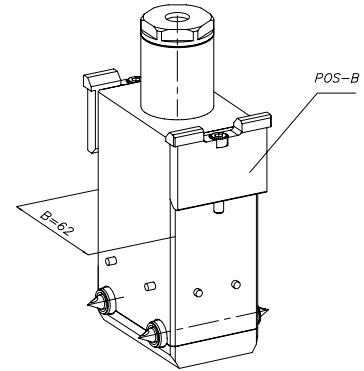
Cable exit positions for power and thermocouple, width of nozzle block 62

Position of bars A

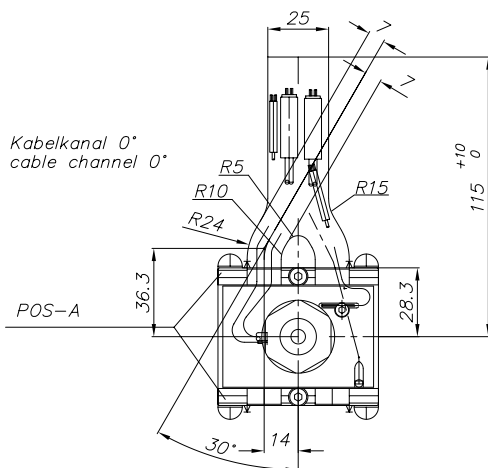
MHL200-93...
MHL200-95...



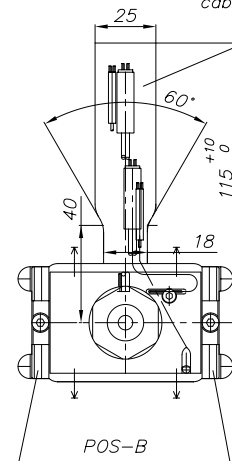
Position of bars B



0°



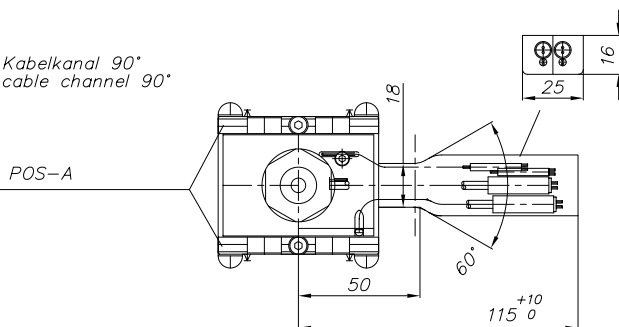
Kabelkanal 0°
cable channel 0°



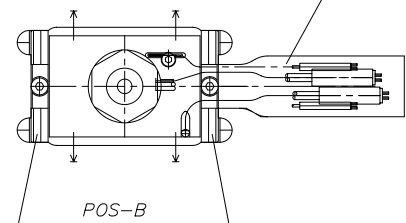
POS-B

90°

Kabelkanal 90°
cable channel 90°



Kabelkanal 90°
cable channel 90°

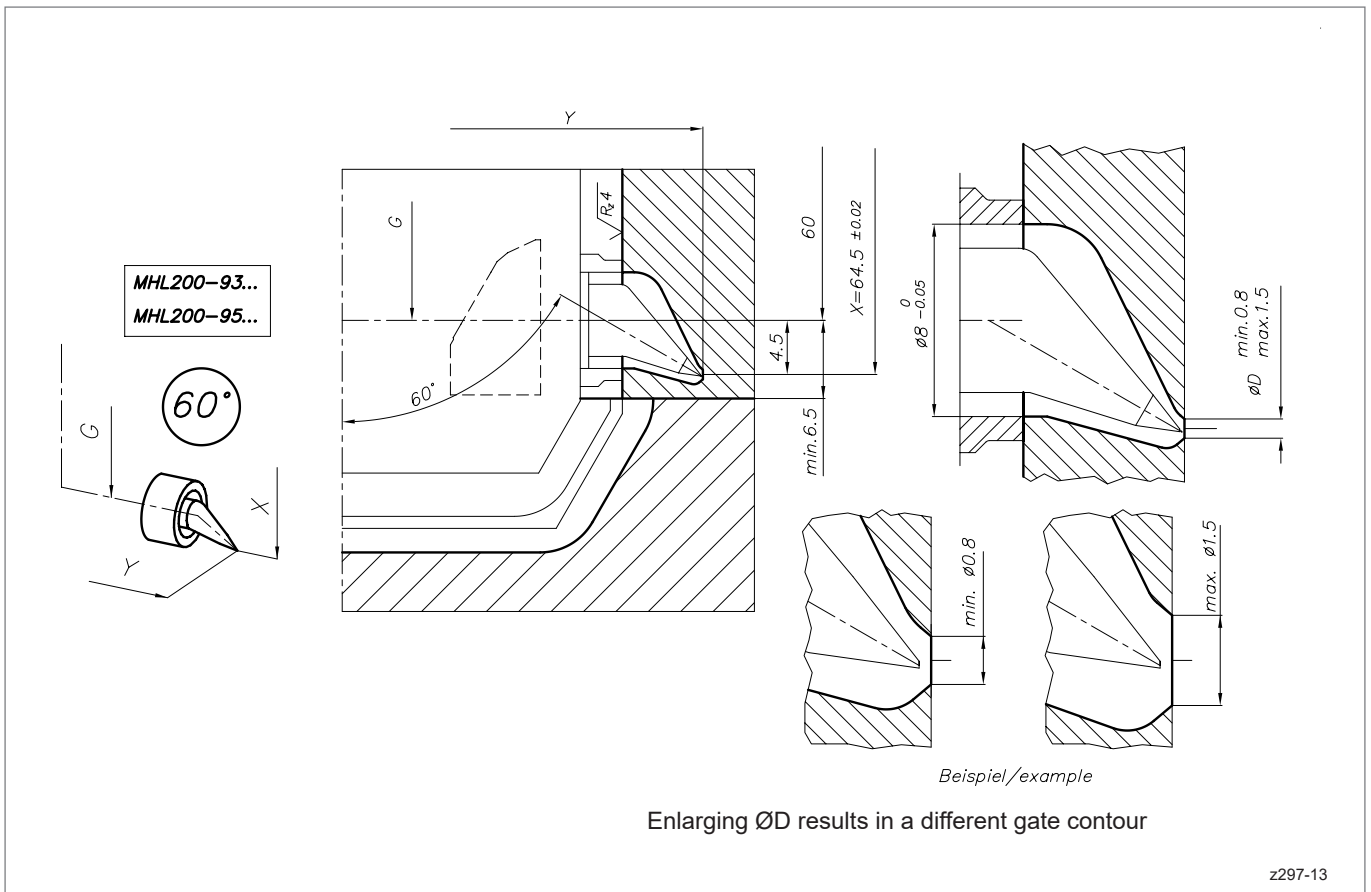
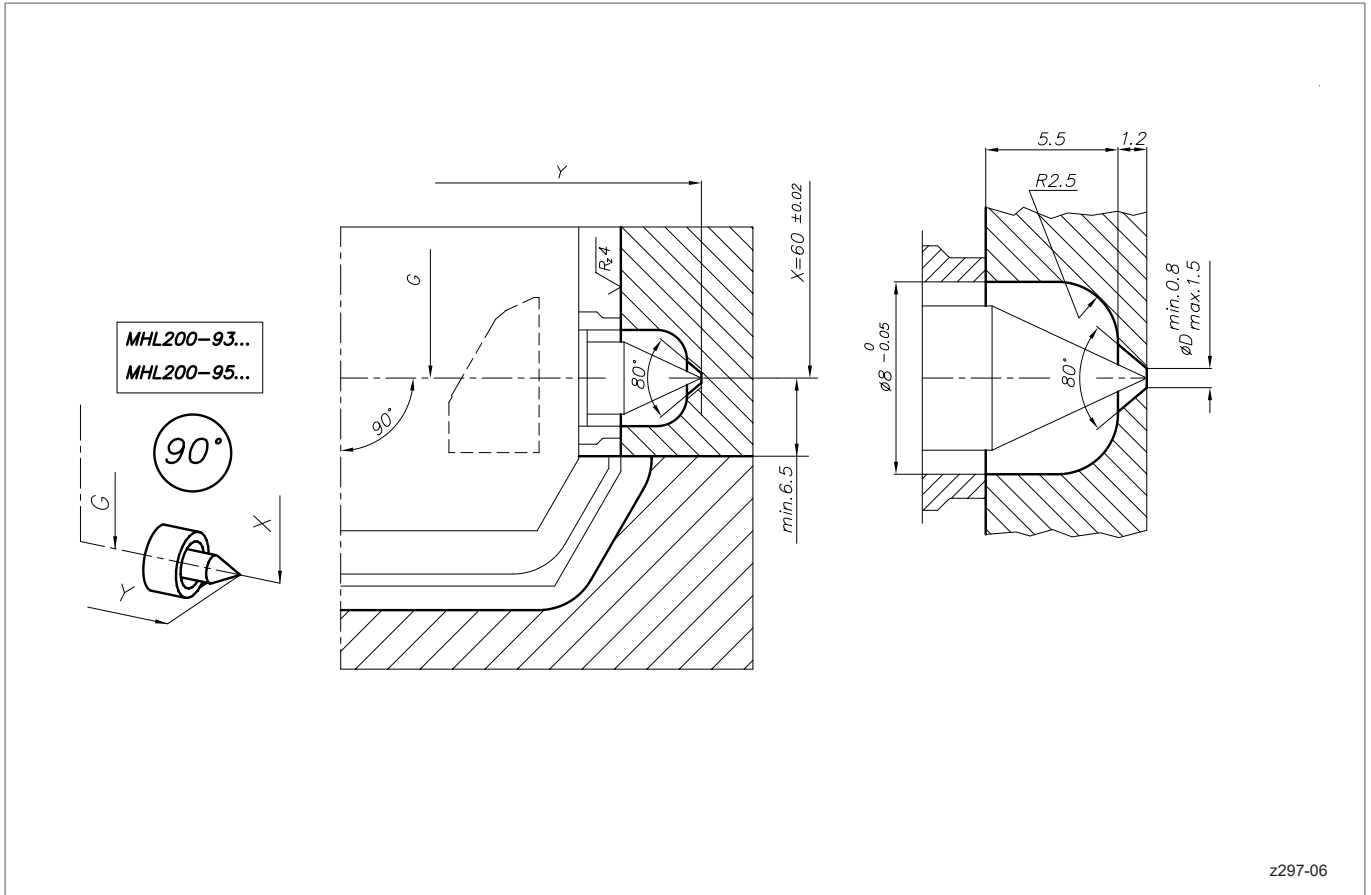


POS-B

z297-05

HPS III-MHL200 linear version

Details of gating geometries



EWIKON Heißkanalsysteme GmbH
Siegener Straße 35 • 35066 Frankenberg / Germany
Tel: +49 6451 501-0 • E-Mail: info@ewikon.com
www.ewikon.com

Technical information subject to alteration | EWIKON 04/2022 EN

